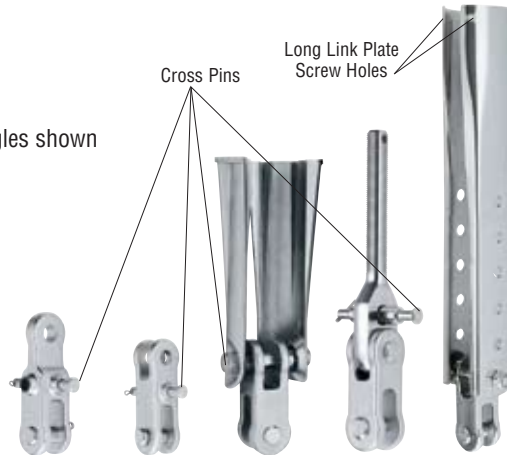


MKIV & Cruising Toggle Options

Use these rigger-supplied options to fit Harken toggles shown below. Harken Toggle assemblies sold separately.



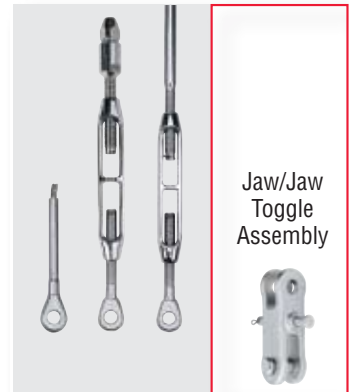
Unit	Eye/Jaw Toggle	Jaw/Jaw Toggle	Jaw/Jaw w/ link plate	Stud/Jaw Toggle	Long Link Plate w/ Toggle
0	7410.20 3/8	—	—	—	—
	7410.20 7/16	—	—	—	—
1	7411.20 1/2	7311.20 1/2	—	7311.20 5/8	7311.21 1/2 7311.21 5/8
	7412.20 5/8	7312.20 5/8	7312.22 5/8 7413.22 3/4	7312.20 3/4	7312.21 5/8 7312.21 3/4
3	—	7413.20 3/4 7413.20 7/8	7413.22 3/4 7413.22 7/8	—	7313.21 3/4 7313.21 7/8
	—	7414.20 7/8	—	—	—
	—	7414.20 1 7414.20 1 1/8	—	—	—

Rigger Supplied

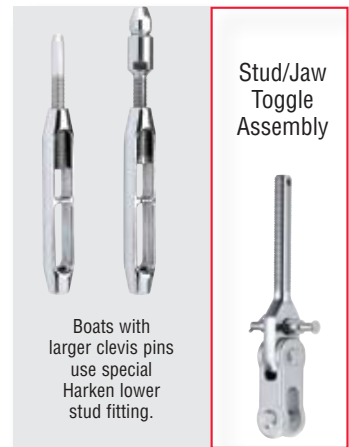
Harken



Eye/Jaw Toggle Assembly



Jaw/Jaw Toggle Assembly



Stud/Jaw Toggle Assembly



Long Link Plate w/ Toggle

Model	Toggle Part No.	Description	Clevis Pin			Fits Unit	Furler Part No.
			Thread Ø	in	mm		
MKIV	7410.20 3/8	Eye/Jaw (reversible)	—	3/8	9.5	0	7410.10
	7410.20 7/16	Eye/Jaw (reversible)	—	7/16	11.1	0	7410.10
	7411.20 1/2	Eye/Jaw (reversible)	—	1/2	12.7	1	7411.10
	7311.20 1/2	Jaw/Jaw	—	1/2	12.7	1	7411.10
	7311.20 5/8	Stud/Jaw	5/8 - 18 LH	5/8	15.9	1	7411.10
	7311.21 1/2	Long link plate w/ toggle	—	1/2	12.7	1	7411.10
	7311.21 5/8	Long link plate w/ toggle	—	5/8	15.9	1	7411.10
	7412.20 5/8	Eye/Jaw (reversible)	—	5/8	15.9	2	7412.10
	7312.20 5/8	Jaw/Jaw	—	5/8	15.9	2	7412.10
	7312.20 3/4	Stud/Jaw	3/4 - 16 LH	3/4	19.1	2	7412.10
	7312.21 5/8	Long link plate w/ toggle	—	5/8	15.9	2	7412.10
	7312.21 3/4	Long link plate w/ toggle	—	3/4	19.1	2	7412.10
	7413.20 3/4	Jaw/Jaw w/ short link plate	—	3/4	19.1	3	7413.10
	7413.20 7/8	Jaw/Jaw w/ short link plate	—	7/8	22.2	3	7413.10
	7313.21 3/4	Long link plate w/ toggle	—	3/4	19.1	3	7413.10
	7313.21 7/8	Long link plate w/ toggle	—	7/8	22.2	3	7413.10
7414.20 7/8	Jaw/Jaw w/ short link plate	—	7/8	22.2	4	7414.10	
7414.20 1	Jaw/Jaw w/ short link plate	—	1	25.4	4	7414.10	
7414.20 1 1/8	Jaw/Jaw w/ short link plate	—	1 1/8	28.57	4	7414.10	
CRUISING	7411.20 1/2	Eye/Jaw (reversible)	—	1/2	12.7	1	7311.10
	7311.20 1/2	Jaw/Jaw	—	1/2	12.7	1	7311.10
	7311.20 5/8	Stud/Jaw	5/8 - 18 LH	5/8	15.9	1	7311.10
	7311.21 1/2	Long link plate w/ toggle	—	1/2	12.7	1	7311.10
	7311.21 5/8	Long link plate w/ toggle	—	5/8	15.9	1	7311.10
	7412.20 5/8	Eye/Jaw (reversible)	—	5/8	15.9	2	7312.10
	7312.20 5/8	Jaw/Jaw	—	5/8	15.9	2	7312.10
	7312.20 3/4	Stud/Jaw	3/4 - 16 LH	3/4	19.1	2	7312.10
	7312.21 5/8	Long link plate w/ toggle	—	5/8	15.9	2	7312.10
	7312.21 3/4	Long link plate w/ toggle	—	3/4	19.1	2	7312.10
ELECTRIC	7312.22 5/8	Jaw/Jaw w/ link plate	—	5/8	15.9	2E	7312.13 12V/24V
	7413.22 3/4	Jaw/Jaw w/ link plate	—	3/4	19.1	2E	7312.13 12V/24V
	7413.22 3/4	Jaw/Jaw w/ link plate	—	3/4	19.1	3E	7413.13 12V/24V
	7413.22 7/8	Jaw/Jaw w/ link plate	—	7/8	22.2	3E	7413.13 12V/24V