

Performa™ Winches

ENGINEERED FOR HIGH-TECH LINE

Harken Performa™ winches are for racers and racer/cruisers using high-tech line who don't wish to invest in a carbon winch, or who need winches in smaller sizes. The Performa design combines the efficiency of Harken Radial® winches with the sandblasted grip of its Carbon Fiber racing winch for a powerful hybrid. Performa winches transfer high loads to the winch with fewer wraps, allowing crew to trim and ease sails quickly and repeatedly as wind strength and directions change.

Available in sizes 40 to 60 to complement Harken's Carbon Fiber line.



Quattro

Self-Tailing

Plain-Top

USES

Use on sportboats and performance cruisers 9 to 17 m (30 to 55 ft).

FEATURES

Sandblasted drum with diagonal ribs engineered for halyard and sheeting applications using smaller high-tech racing line.

Narrow self-tailing jaws of long-glass fiber shaped for easy line entry and optimum gripping power.

Spring-loaded upper jaw adjusts under line pressure to accept a variety of line sizes; teeth grip evenly with or without load.

Stripper arm covers winch top to prevent fingers and clothing from catching in rotating parts; adjusts to multiple positions.

MATERIALS

Composite roller and thrust bearings reduce friction under load; have excellent corrosion resistance; don't require lubrication.

Drums with integrated skirt available in aluminum.

Load-carrying gears, pins, and pawls are 17-4PH stainless steel.

Snap-fit design keeps bearings captive in a high-strength, Delrin® cage.

OPTIONS

Available in manual, electric, or hydraulic drive. Manual winches are offered in self-tailing, plain-top, or Quattro styles.

Electric versions available with 12- or 24-volt, vertical or horizontal motors, and left-mount options; load controller and racing disconnect rod included.

Available in sizes 40, 46, 50, and 60.

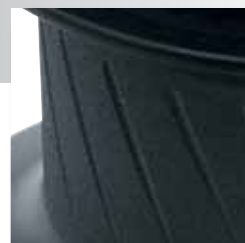
Size 60 available in 2 or 3 speeds.

MAINTENANCE

Winches can be disassembled and serviced on deck.

Top lifts out as a single unit for quick reassembly.

Clean and grease winches regularly as described in the product manual.



Drum grip designed for high-tech, small-diameter lines



Lightweight composite bearings don't require lubrication

Performa™ Winches

Part No.	Drum (D)		Base (B)		Height (H)		Weight		Line Ø (Min - Max)		Line entry height (LE)		Fastener circle		Fasteners (SH or HH)		Gear ratio			Power ratio		
	in	mm	in	mm	in	mm	lb	kg	in	mm	in	mm	in	mm	in	mm	1	2	3	1	2	3
Plain-Top																						
40.2PTP	3 ¹ / ₈	80	6 ³ / ₁₆	157	6	153	7.7	3.5	—	—	3 ¹ / ₄	82	4 ⁷ / ₈	123	5 x 1 ¹ / ₄ * 5 x M6	2.13	6.28	—	13.50	39.90	—	
46.2PTP	3 ⁷ / ₈	100	7 ¹ / ₄	184	7	179	11.3	5.1	—	—	3 ⁹ / ₁₆	90	5 ⁷ / ₈	150	5 x 5 ¹ / ₁₆ 5 x M8	2.30	9.17	—	11.70	46.50	—	
50.2PTP	4 ⁵ / ₁₆	110	7 ¹¹ / ₁₆	195	7 ¹ / ₂	190	13.0	5.9	—	—	3 ⁷ / ₈	97	5 ⁷ / ₈	150	5 x 5 ¹ / ₁₆ 5 x M8	2.40	10.90	—	10.90	50.40	—	
Self-Tailing																						
40.2STP	3 ¹ / ₈	80	6 ³ / ₁₆	157	6 ⁷ / ₈	175	8.4	3.8	5 ¹ / ₁₆ - 1 ¹ / ₂	8 - 12	3 ¹ / ₄	82	4 ⁷ / ₈	123	5 x 1 ¹ / ₄ * 5 x M6	2.13	6.28	—	13.50	39.90	—	
46.2STP	3 ¹⁵ / ₁₆	100	7 ¹ / ₄	184	7 ¹⁵ / ₁₆	202	11.5	5.2	5 ¹ / ₁₆ - 9 ¹ / ₁₆	8 - 14	3 ⁹ / ₁₆	90	5 ⁷ / ₈	150	5 x 5 ¹ / ₁₆ 5 x M8	2.30	9.17	—	11.70	46.50	—	
50.2STP	4 ⁵ / ₁₆	110	7 ¹¹ / ₁₆	195	8 ⁵ / ₁₆	212	13.2	6.0	5 ¹ / ₁₆ - 9 ¹ / ₁₆	8 - 14	3 ¹⁵ / ₁₆	97	5 ⁷ / ₈	150	5 x 5 ¹ / ₁₆ 5 x M8	2.40	10.90	—	10.90	50.40	—	
60.2STP	4 ³ / ₄	120	9 ⁵ / ₁₆	236	9 ¹¹ / ₁₆	246	22.5	10.2	5 ¹ / ₁₆ - 5 ¹ / ₈	8 - 16	4 ⁹ / ₁₆	116	8	204	6 x 5 ¹ / ₁₆ 6 x M8	4.80	14.40	—	20.30	61.00	—	
60.3STP	4 ³ / ₄	120	9 ⁵ / ₁₆	236	10	253	25.8	11.7	5 ¹ / ₁₆ - 5 ¹ / ₈	8 - 16	4 ⁹ / ₁₆	116	8	204	6 x 5 ¹ / ₁₆ 6 x M8	2.20	4.80	14.40	9.20	20.30	61.00	
Quattro																						
40STQP	3 ¹ / ₈ **	80**	7 ¹ / ₈	180	6 ⁷ / ₈	175	10.2	4.6	5 ¹ / ₁₆ - 1 ¹ / ₂	8 - 12	3 ¹ / ₄ **	82**	4 ⁷ / ₈	123	5 x 1 ¹ / ₄ 5 x M6	2.13	6.28	—	13.50	39.90	—	
46STQP	3 ¹⁵ / ₁₆ ‡	100‡	8 ¹ / ₂	218	7 ¹⁵ / ₁₆	202	13.7	6.2	5 ¹ / ₁₆ - 9 ¹ / ₁₆	8 - 14	3 ⁹ / ₁₆ ‡	90‡	5 ⁷ / ₈	150	5 x 5 ¹ / ₁₆ 5 x M8	2.30	9.17	—	11.70	46.50	—	

*SH only **Refers to upper drum. Lower drum Ø = 6¹/₁₆" (154 mm); line entry height = 1⁵/₁₆" (24 mm) ‡Refers to upper drum. Lower drum Ø = 7¹³/₃₂" (188 mm); line entry height = 1⁵/₁₆" (24 mm)

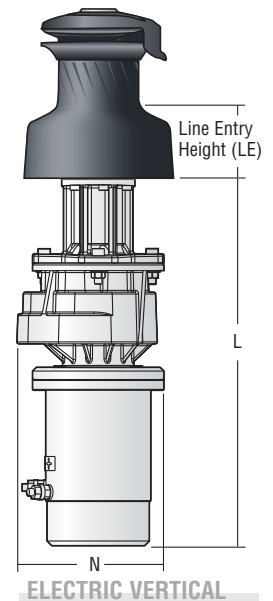
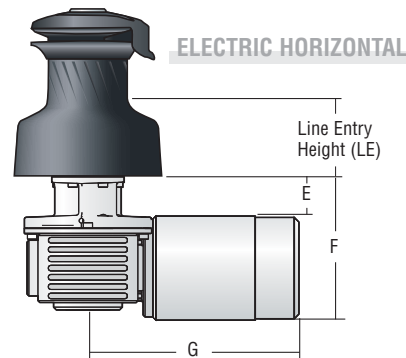
Electric & Hydraulic Powered Versions

Specify power type, voltage, and motor configuration when ordering. See part number explanation.

Part Numbers
Specify power type, voltage, and motor configuration when ordering

46.2STEP12HLM

- Winch size
- Number of speeds
- Self-tailing
- Power type
E = Electric
H = Hydraulic
- Performa™
P = Performa winch line
- Voltage
12 = 12V
24 = 24V
- Motor configuration (Specify for electric; hydraulic available in vertical only)
H = Horizontal
V = Vertical
- Left-mount option (Available in electric only. Additional letter code for left-mount option only; standard mounting part number ends with motor configuration)
LM = Left-mount



Dimensions

Part No.	E		F		G		L		N		Weight with motor	
	in	mm	in	mm	in	mm	in	mm	in	mm	lb	kg
Electric												
40.2STEPH	1 ³ / ₄	43	6 ¹ / ₈	155	8 ⁷ / ₈	227	—	—	—	—	29.7	13.5
46.2STEPH	1 ³ / ₄	43	6 ¹ / ₈	155	8 ⁷ / ₈	227	—	—	—	—	32.8	14.9
46.2STEPV	—	—	—	—	—	—	15 ³ / ₈	391	6 ¹ / ₈	157	36.9	16.7
50.2STEPH	2 ³ / ₄	69	7 ¹ / ₈	181	9 ⁵ / ₈	244	—	—	—	—	37.1	16.8
50.2STEPV	—	—	—	—	—	—	15 ³ / ₈	391	6 ¹ / ₈	157	38.6	17.5
60.2STEPH	2 ³ / ₄	69	7 ¹ / ₈	181	9 ⁵ / ₈	244	—	—	—	—	46.4	21.0
60.2STEPV	—	—	—	—	—	—	15 ³ / ₈	391	6 ¹ / ₈	157	47.9	21.7
60.3STEPH	2 ³ / ₄	69	7 ¹ / ₈	181	9 ⁵ / ₈	244	—	—	—	—	49.7	22.5
60.3STEPV	—	—	—	—	—	—	15 ³ / ₈	391	6 ¹ / ₈	157	51.2	23.2
Hydraulic												
46.2STHP	—	—	—	—	—	—	9 ¹ / ₄	234	5 ¹ / ₈	130	28.0	12.7
50.2STHP	—	—	—	—	—	—	9 ¹ / ₄	234	5 ¹ / ₈	130	29.8	13.5
60.2STHP	—	—	—	—	—	—	9 ¹ / ₄	234	5 ¹ / ₈	130	39.1	17.7
60.3STHP	—	—	—	—	—	—	9 ¹ / ₄	234	5 ¹ / ₈	130	42.4	19.2

