

UniPower Radial®

The UniPower is a single-speed winch that combines the advantages of a low-profile manual winch with the power of a 12- or 24-volt, low-amp-draw motor. What makes it unique is that the motor is partially imbedded inside the drum, so that it extends only 4 1/8 inches (105 mm) below the winch base—a critical feature for small boats where space under the cabin top is limited.

Winch drums come in durable lightweight aluminum or mirror-finished chrome. High-strength composite self-tailing jaws and skirt save weight. Composite roller bearings reduce friction under load and don't require lubrication. The stripper arm and load-carrying gears on both aluminum and chrome versions are 17-4PH stainless steel for strength and durability.

Accessories Included

Winches include a waterproof switch and a one-speed control box with built-in current controller to protect hardware by electronically limiting the winch's maximum pull to 1984 lbs (900 kg).



900UPWA



900UPWC



WLC2000UPW

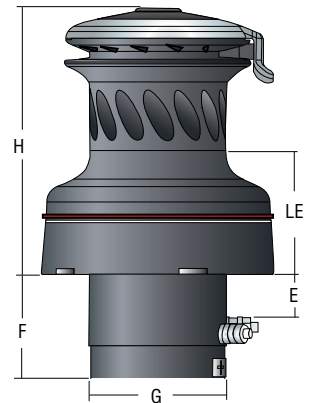
BRS104/P



Low-profile electric motor saves head space



Works with handle if power is unavailable



UniPower Winches

Part No.	Line entry height (LE)		E		F		G	
	in	mm	in	mm	in	mm	in	mm
900UPWA/C	3 ¹⁵ / ₁₆	100	1 ³ / ₈	35	4 ¹ / ₈	105	5 ¹ / ₂	140

Part No.	Drum		Base		Height (H)		Weight		Line Ø (Min - Max)		Fastener Circle		Fasteners (SH or HH)		Max Pull	
	in	mm	in	mm	in	mm	lb	kg	in	mm	in	mm	in	mm	lb	kg
900UPWA	4 ⁷ / ₈	110	7 ¹ / ₂	190	8 ¹ / ₂	215	26.5	12.0	5 ¹ / ₁₆ - 9 ¹ / ₁₆	8 - 14	6 ⁵ / ₁₆	160	5 x 1/4	5 x 6	1984	900
900UPWC	4 ⁷ / ₈	110	7 ¹ / ₂	190	8 ¹ / ₂	215	32.0	14.5	5 ¹ / ₁₆ - 9 ¹ / ₁₆	8 - 14	6 ⁵ / ₁₆	160	5 x 1/4	5 x 6	1984	900

Specify voltage when ordering.

Accessories Included

Part No.	Description	Voltage	Motor power		Cut-off load		Length		Width		Height		Weight	
			watts	—	lb	kg	in	mm	in	mm	in	mm	oz	g
BRS104/P	Remote switch w/guard	—	—	—	—	—	3 ³ / ₈	85	3	76	3/4	19	3.4	95
WLC2000UPW	Control box w/current controller	12 V	700 W	—	1874	850	4 ¹⁵ / ₁₆	125	5 ⁵ / ₁₆	135	2 ⁹ / ₁₆	65	17.6	500