

57mm Big Boat Flip-Flop Block



Harken's high-load Flip-Flop block is a low profile, lightweight pivoting lead block that articulates from side-to-side. Its hinged construction allows variable lead angles in mainsheet systems, mastbase control lines, and spinnaker halyards to keep line close to the deck.



Hollow axle runs line close to the deck.

STRONG LIGHTWEIGHT ASSEMBLY

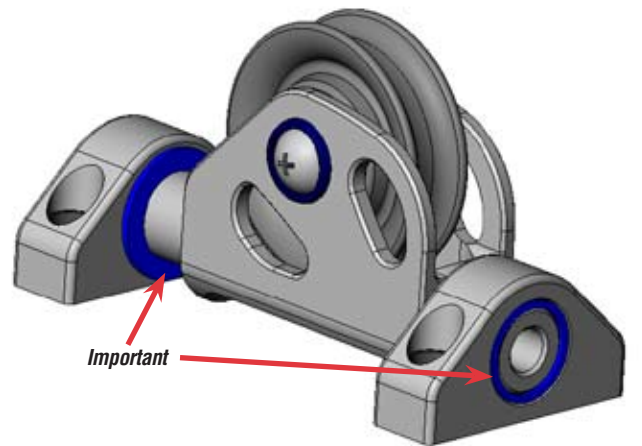
Hardkote-anodized aluminum sheave and sideplates for lightweight strength.

LOW PROFILE

Block pivots around the line axis to keep line entry height low. The block mounts on machined aluminum feet and pivots easily on plastic isolators.

LOW FRICTION

The high-load bearing system features Teflon® composite bushing to handle primary loads, and ball bearings for sideloads.



Flange must be assembled to the inside at both ends

57mm Flip-Flop Block

Part No.	Description	Sheave Ø		Width		Length		Height		Weight		Max line Ø		Safe working load		Breaking strength	
		in	mm	in	mm	in	mm	in	mm	oz	g	in	mm	lb	kg	lb	kg
3122	Flip-flop block	2 ¹ / ₄	57	2 ¹ / ₄	57	4 ³ / ₈	111	2 ⁷ / ₈	73	9	255	3 ³ / ₈	10	2500	1136	5000	2273
3194	Flip-flop block w/Lockoff	2 ¹ / ₄	57	2 ¹ / ₄	57	4 ³ / ₈	111	2 ⁷ / ₈	73	11.2	317.8	3 ³ / ₈	10	2500	1136	5000	2273